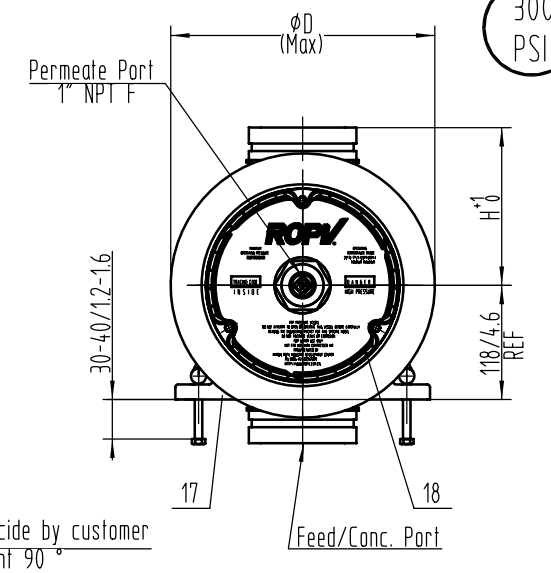
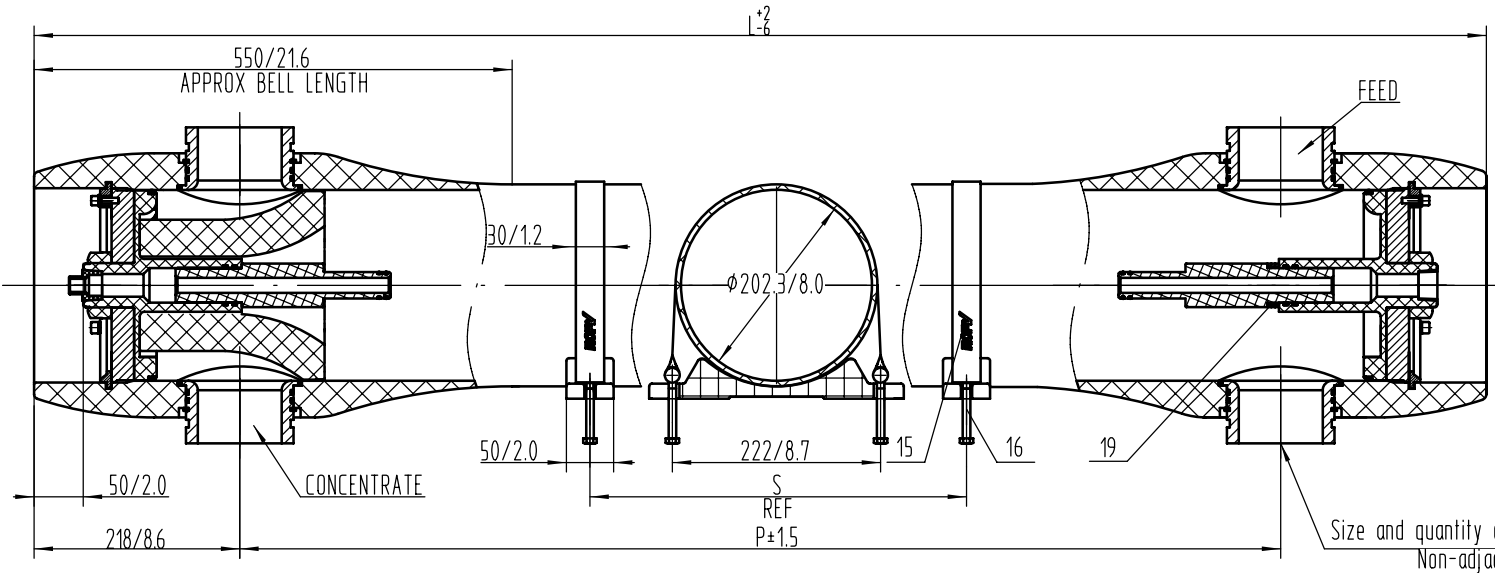
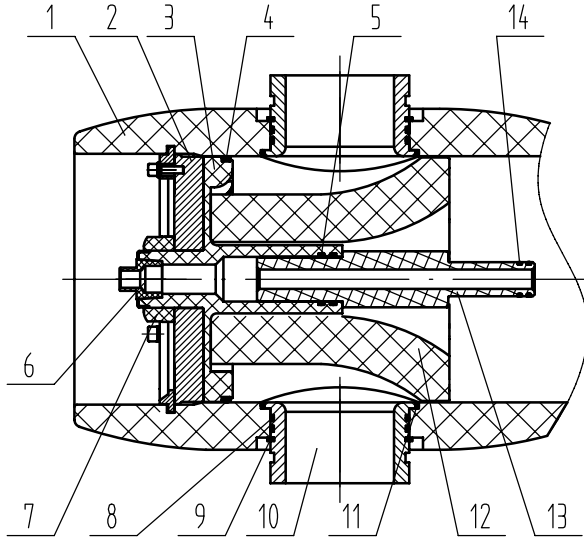


300
PSI



F/C.PORT	D	H
3"	272/10.7	160/6.3
4"	282/11.1	166/6.5

Ref.	Part Number	Description	Qty.	Material	Note
19	A8023.1	Shim	0~3	Engineering Thermoplastic	
18	A8018.4	Locking Kit Segment Assy.	6	304SS,including Screw and Pad	
17	A8016	Saddle	2~3	Rubber	
16	GB/T5782 M8x90	Strap Screw	4~6	304SS	
15	A8014.1	Strap	2~3	304SS-Brass and Rubber	
14	23.6x2.65G GB/T3452.1	O-ring	4	EPDM	
13	A8012.5	Adapter	2	Engineering Thermoplastic	
12	A8011.5	Thrust Ring	1	Engineering Thermoplastic	
11	125x3.55G GB/T3452.1 97.5x3.55G GB/T3452.1	O-ring	2~4	EPDM	
10	S8030I<DZ> S8030G<DZ>	4"Feed/Conc. Port 3"Feed/Conc. Port	2~4	316LSS	OPT
09	A8009.5 A8009.4	4"Retaining Ring 3"Retaining Ring	2~4	304SS	
08	106x3.55G GB/T3452.1 82.5x3.55G GB/T3452.1	O-ring	4~8	EPDM	
07	A8007	Permeate Port Locknut	2	Engineering Thermoplastic	
06	A8006	Plug	1	Engineering Thermoplastic	
05	36.5x3.55G GB/T3452.1	O-ring	4	EPDM	
04	190x5.3G GB/T3452.1	O-ring	2	EPDM	
03	A8003.4	Unitary Sealing Plate	2	Engineering Thermoplastic;304SS Ring	
02	A8002.3 A8002.2	Bearing Plate	2	Aluminium Alloy-Hard anodized	ASME
01	S8012.9-16	Pressure Shell	1	FRP	



- DESIGN PRESSURE 300PSI(2.1MPa).
- DESIGN TEMPERATURE 150°F(66°C).
- MIN ALLOWABLE TEMPERATURE 20°F(-7°C).
- WORKING MEDIUM, WATER PH3-11.
- DIMENSIONS IN MM(INCHES APPROX).
- INTERNAL PERMEATE PRESSURE NOT TO EXCEED 125PSI(0.88Mpa).
- THE QUANTITY OF ITEM NO.8 9 10 AND 11,DEPEND ON THE FEED/CONC. PORTS CONFIGURATION.
- ITEM 12 CONCENTRATE SIDE ONLY.
- ITEM 19 FEED SIDE ONLY.
- PLEASE OPERATE IN ACCORDANCE WITH USER MANUAL.
- FOR REFERENCE ONLY,NOT FOR CONSTRUCTION UNLESS CERTIFIED.
- SPARE PARTS FORM JUST FOR REFERENCE,SPECIFIC FORM OF THE SPARE PART DRAWING PREVAIL,SUBJECT TO CHANGE WITHOUT NOTICE.
- ALL PARTS CAN BE RECYCLED EXCEPT FRP SHELL.

Shell length code	Shell number	L L.O.A MM/IN	P Port to port MM/IN	S Span MM/IN	Approx assembly weight (3"Feed/Conc. Port) KG/LB
1	S8012.9	1630/64.2	1194/47	500/19.7	60.5/133
2	S8012.10	2646/104.2	2210/87	1455/57.3	67.5/149
3	S8012.11	3662/144.2	3226/127	2064/81.3	74.5/164
4	S8012.12	4678/184.2	4242/167	1600/63x2	81.5/180
5	S8012.13	5694/224.2	5258/207	2000/78.7x2	88.5/195
6	S8012.14	6710/264.2	6274/247	2358/92.8x2	95.5/210
7	S8012.15	7726/304.2	7290/287	2865/112.8x2	102.5/226
8	S8012.16	8742/344.2	8306/327	3373/132.8x2	109.5/241

ROPV DESIGN **Harbin ROPV Industry Development Center**

REVIEW MODEL R8040B300S<Large Opening> PRESSURE VESSEL

APPROVAL DRG REV

R8040B300S-00(3" 4") 10.2.3